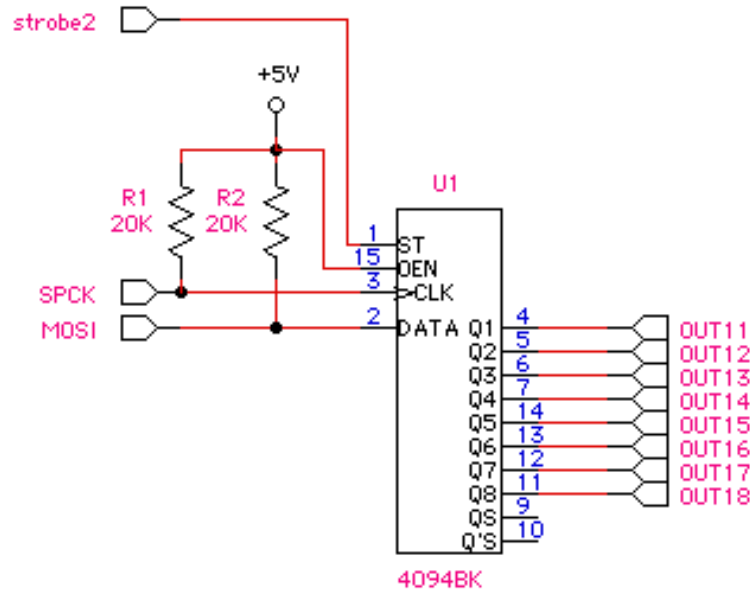
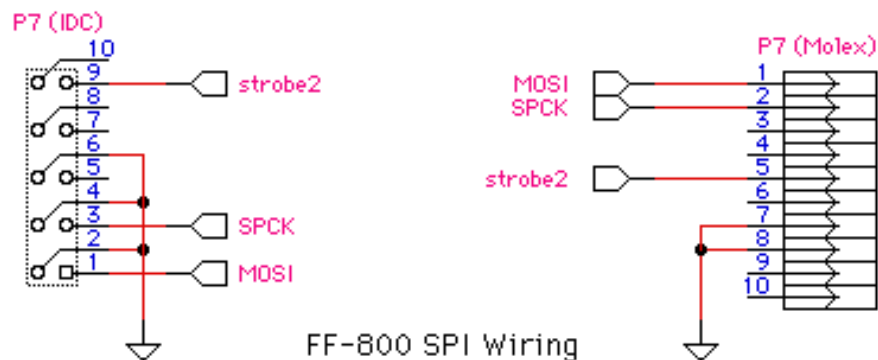


FF Systems, serial output expansion appnote for the FF-800 repeater controller.



Notes:

- 1) R1 and R2 are optional.
- 2) Connect +5V to pin 16 of U1, and GND to pin 8 of U1.
- 3) Be sure to set the external output mode using the <cnfg>5050 command.
- 4) Outputs are +5V logic. 5V on, or GND off. Be sure to use transistor drivers for things like relays or power switching.



(c) 2007, FF Systems, all rights reserved.
 P.O. Box 5533
 Round Rock, TX 78683
<http://www.rollanet.org/~joeh/>